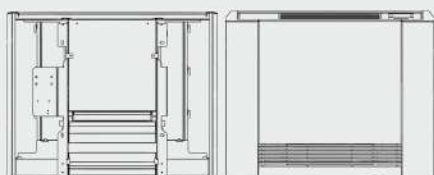


FOKS EPIC

Wall convector with fan.
For heating and cooling.



FVKV-HC
75/13/58
95/13/58
115/13/58

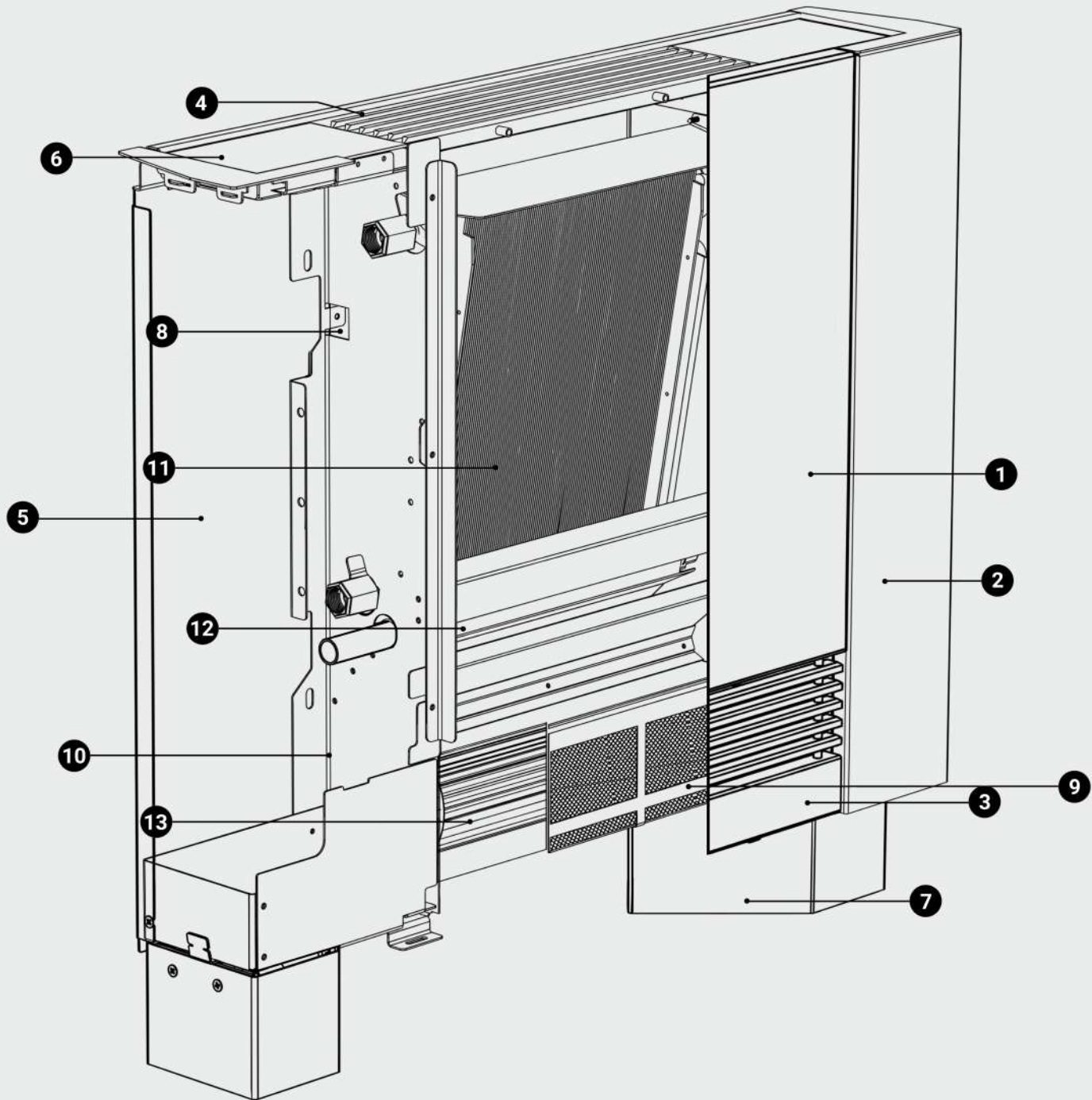


FVKV-HC
75/13/43
95/13/43
115/13/43

ASSEMBLY INSTRUCTIONS

- Package content
- Unpacking
- Assembly instructions
- Pipes connecting
- Wiring diagrams
- Cleaning
- Warranty

PACKAGE CONTENT



Convector - outer parts

1. Front panel with isolation
2. Movable side panels (2 pcs.)
3. Front suction grille
4. Upper reversible grille
5. Back panel with isolation
6. Upper panels (2 pcs. - 1 for built-in room thermostat - option)
7. Feet - decorative / stable (option)
8. Decorative back panel (option)
9. Fan air filter

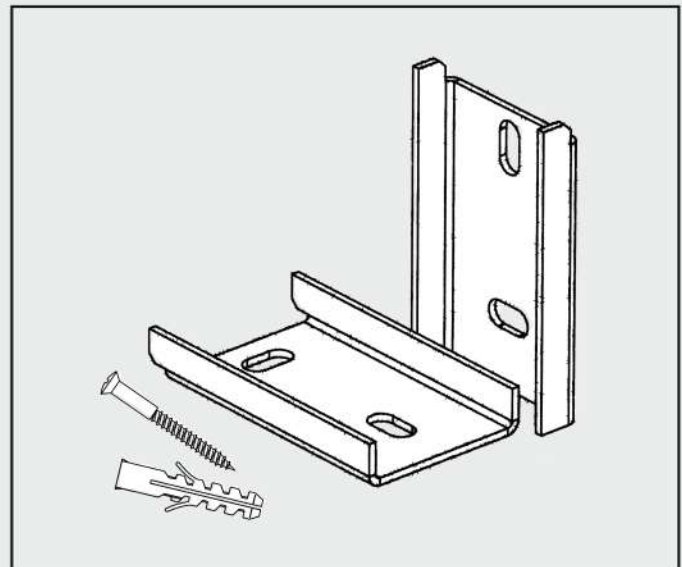
Convector - inner parts

10. Main structure of galvanized metal
11. Heat exchanger
12. Basin for condens water
13. Tangential fan with single phase motor

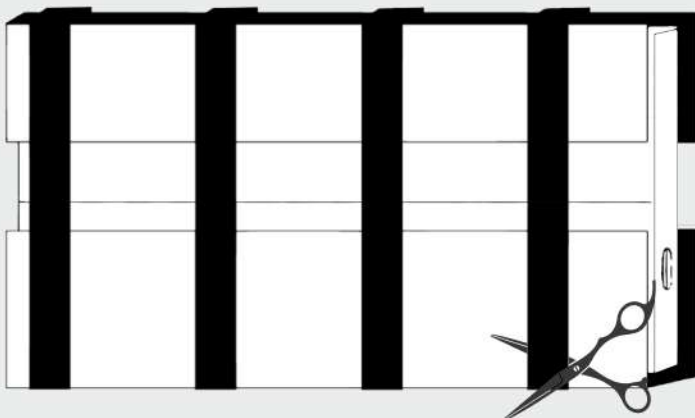
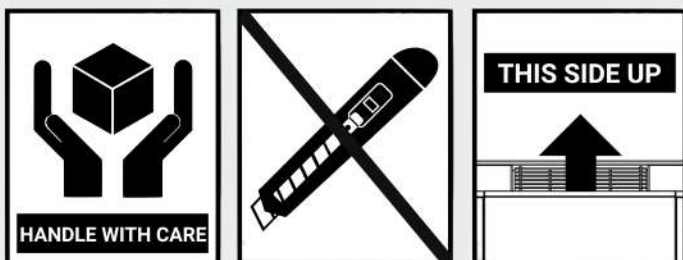
ADDITIONAL INFORMATION

1. Mounting elements (included in the package)

- 4 pcs. screw + dowel
- 2 pcs. metal hangers with two holes for screws



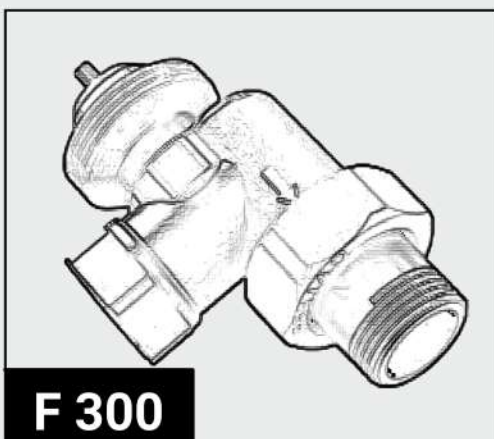
2. Convector unpacking



Carefully remove the packaging - do not use sharp objects to cut the packaging material! Stand the convector on the packaging material and check all its parts for aesthetic or mechanical damage.



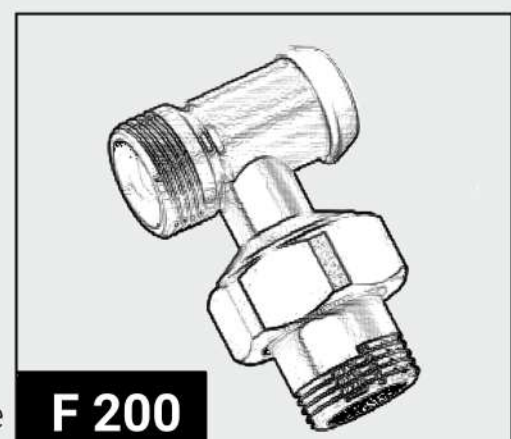
3. Recommended connection valves (separate order)



F 300

Axial thermostatic valve 1/2

90° shut-off valve

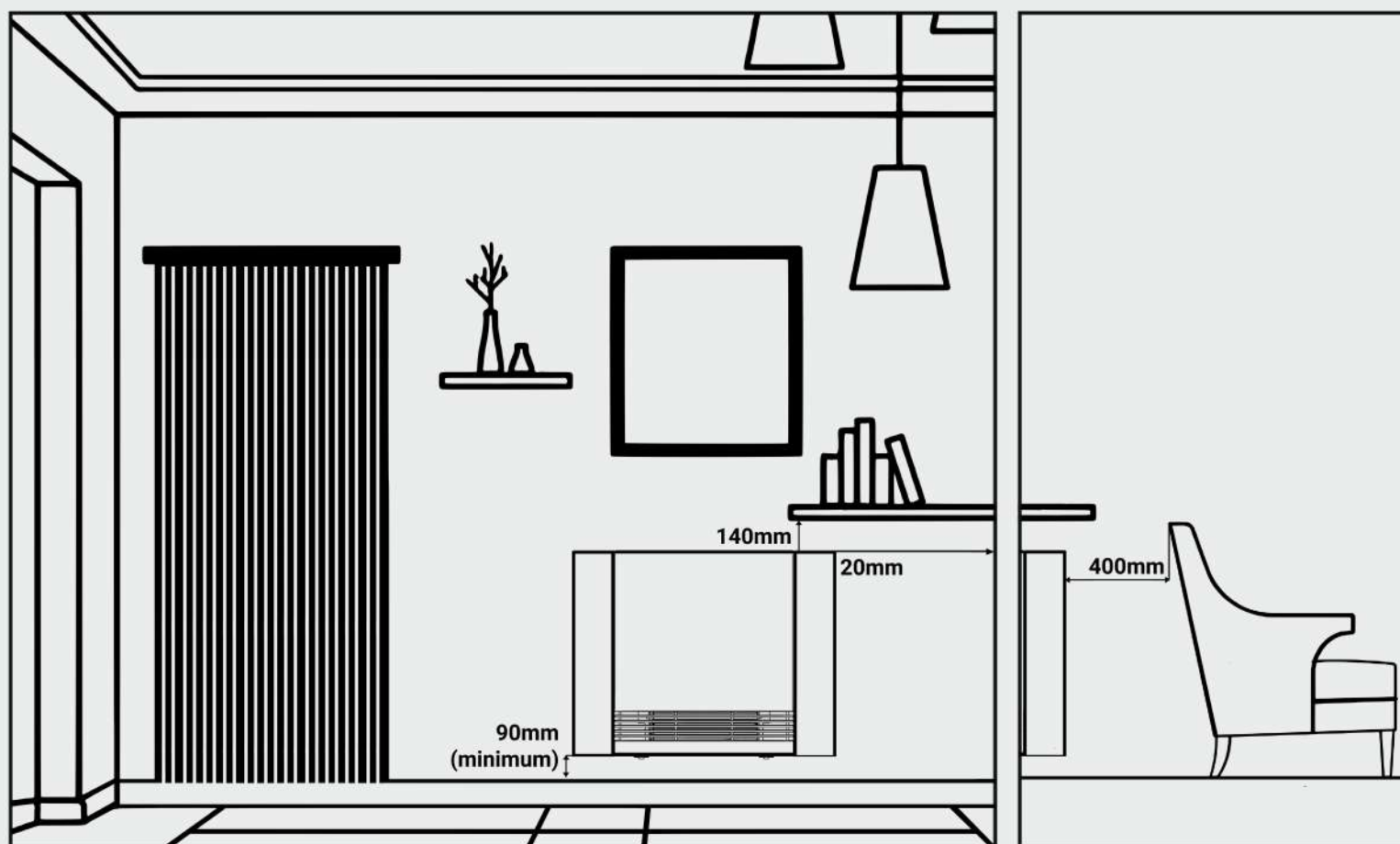


F 200

INSTALLATION INSTRUCTIONS

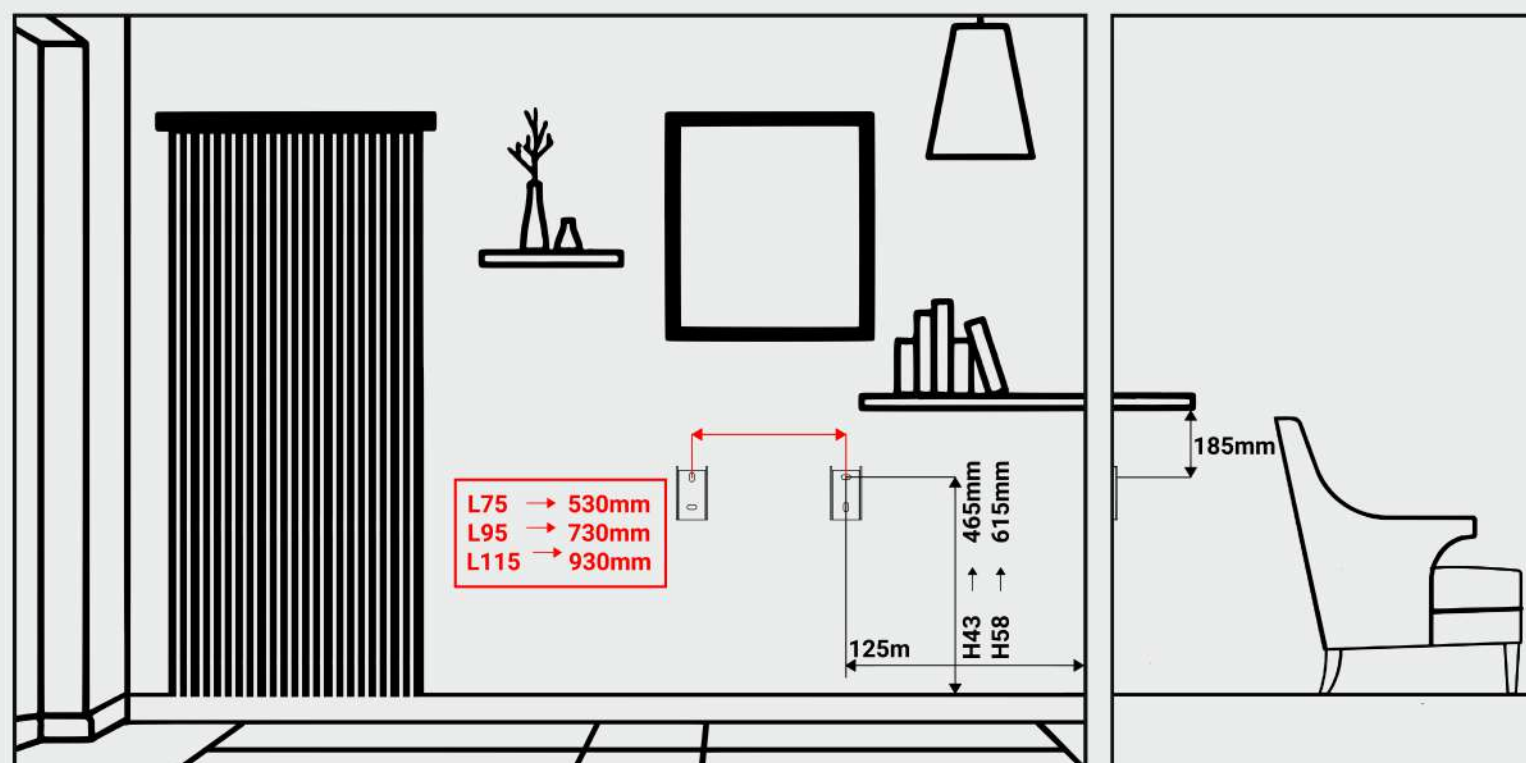
1. Prepare holes in the wall ($\Phi 10\text{mm}$) and attach the metal hangers:

Minimum distances of the convector in the room



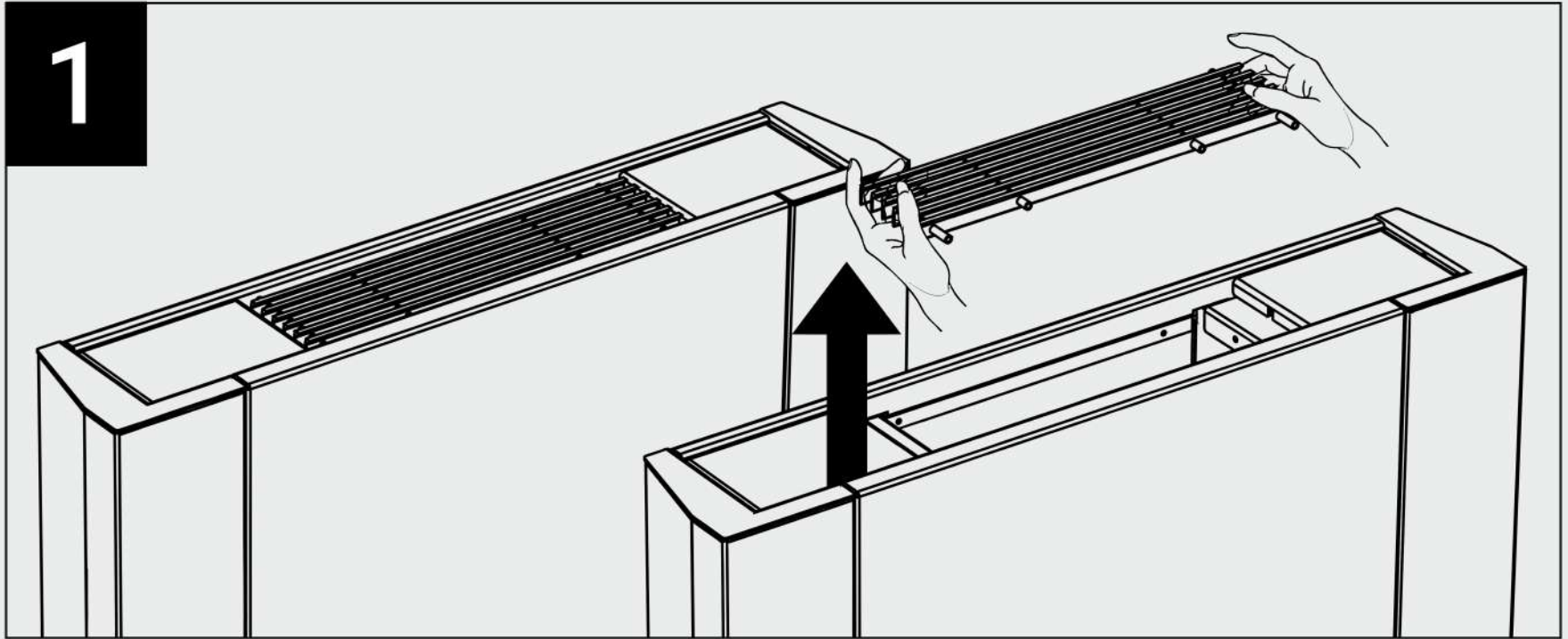
Placing the metal hangers on the wall:

- according to the minimum distances of the convector (marked in black)
- distance between the hangers themselves according to the size of the convector (marked in red)

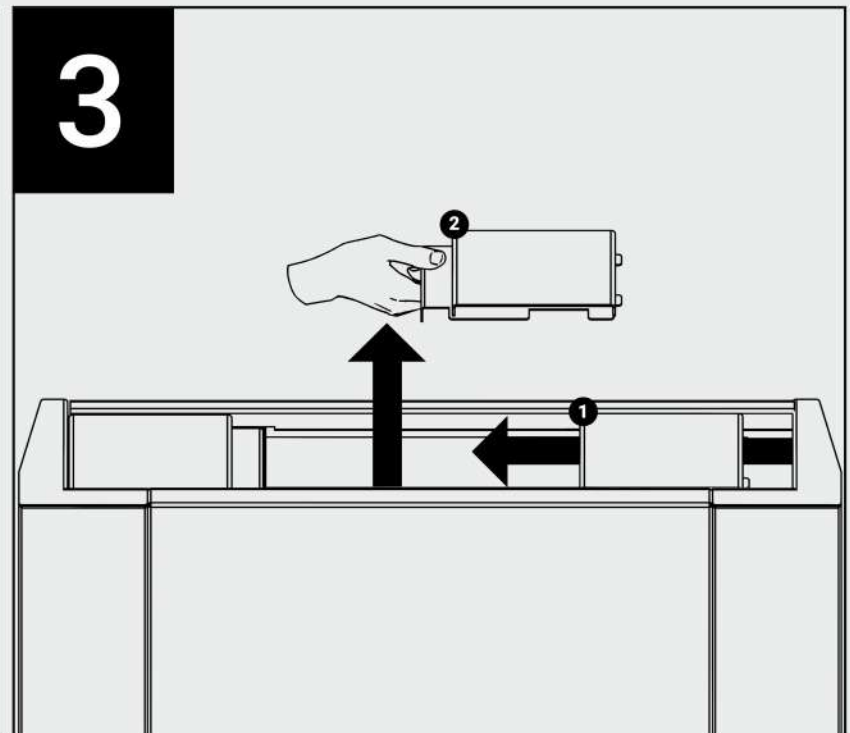
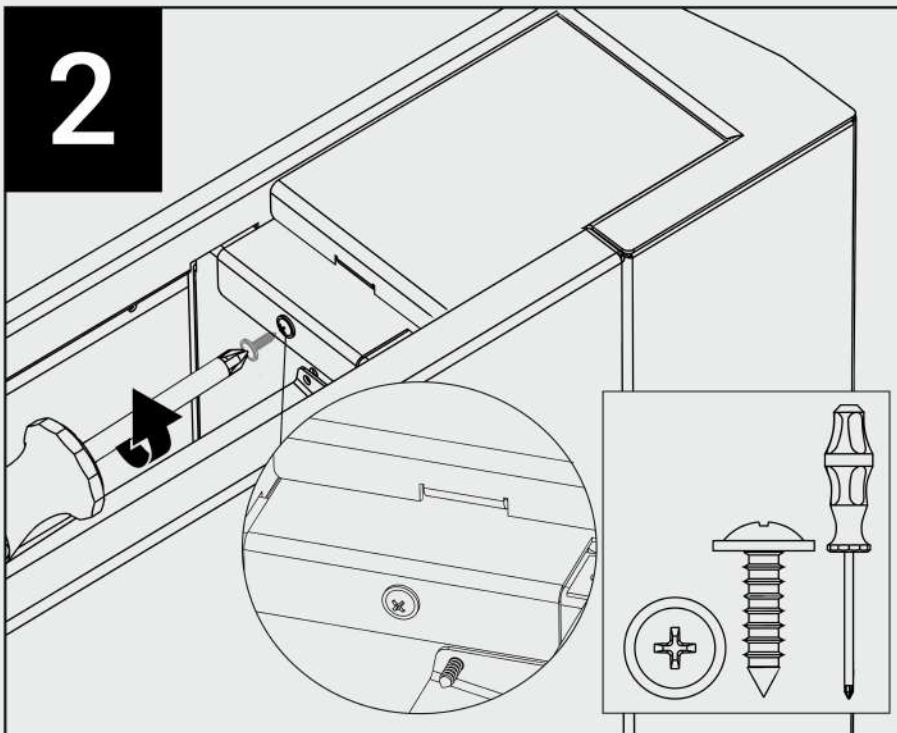


2. Removing the side panels to access the heat exchanger on one side and the electronics on the other side:

Remove the upper grille

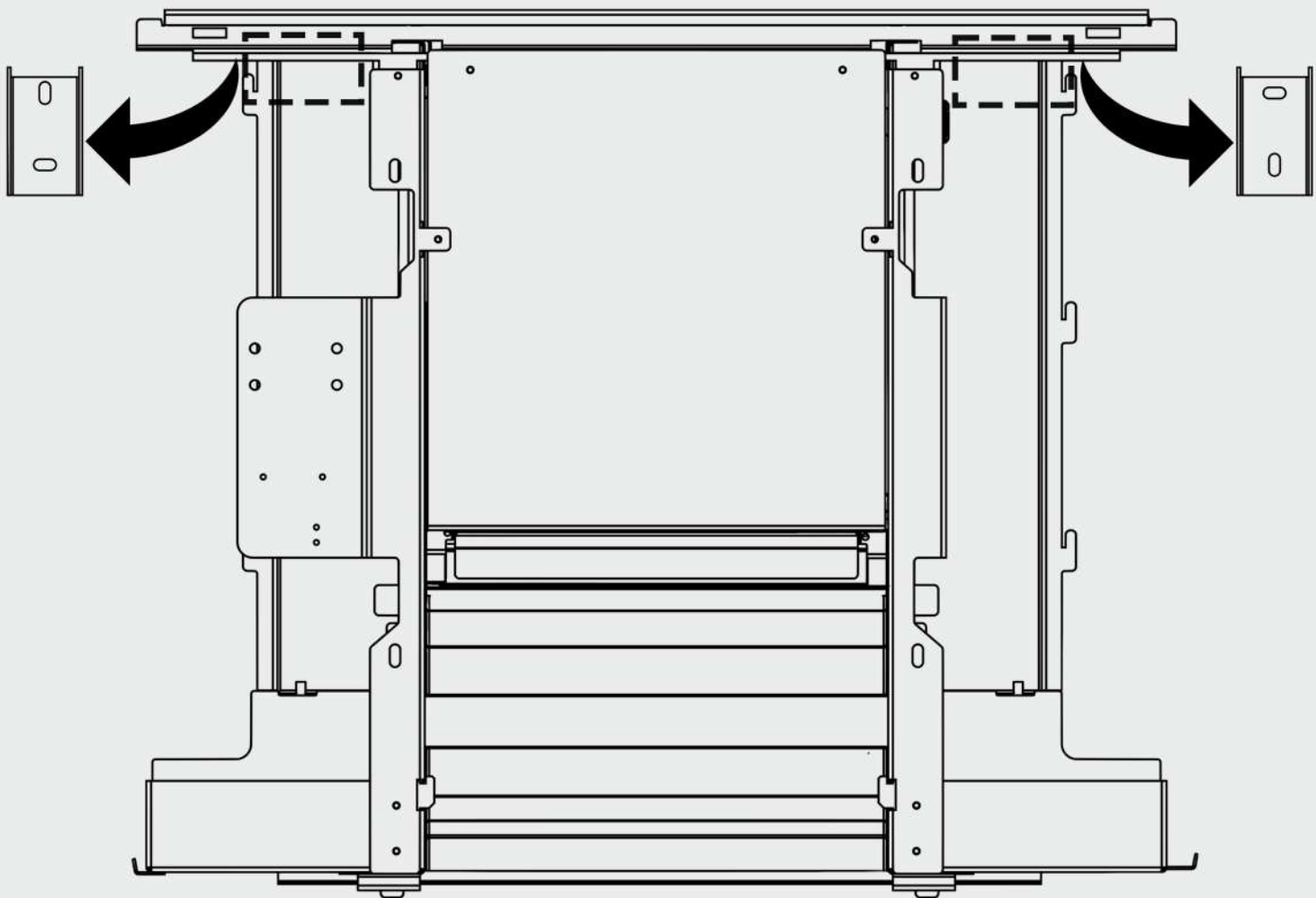
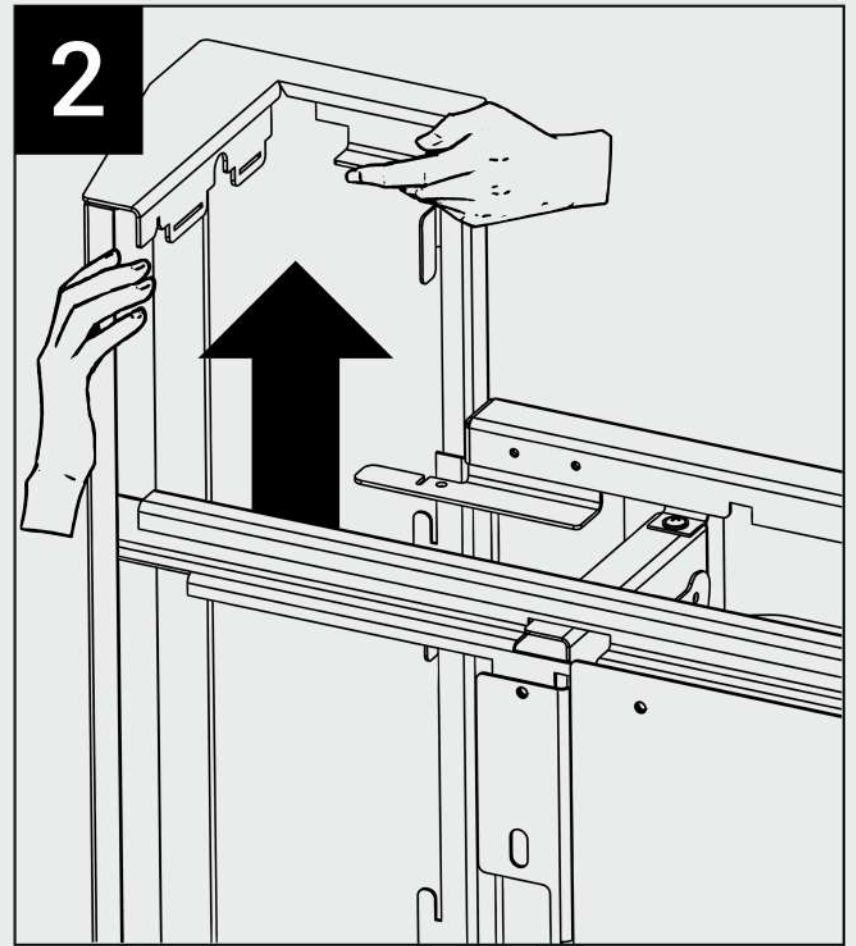
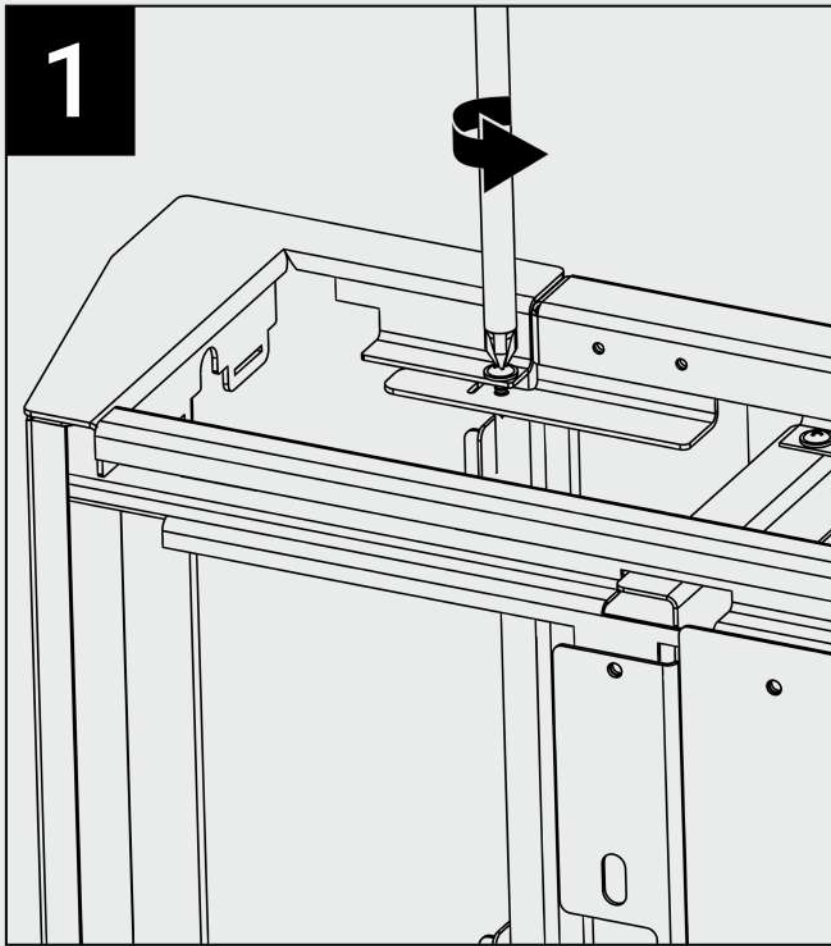


Remove the upper panels - unscrew the screw and pull the panel inwards.



The FOKS EPIC's electronics are standard on its right side. In case "ALL-IN1 EPIC" option is selected, it is not necessary to disassemble it. The thermostat is factory built into the right upper panel.

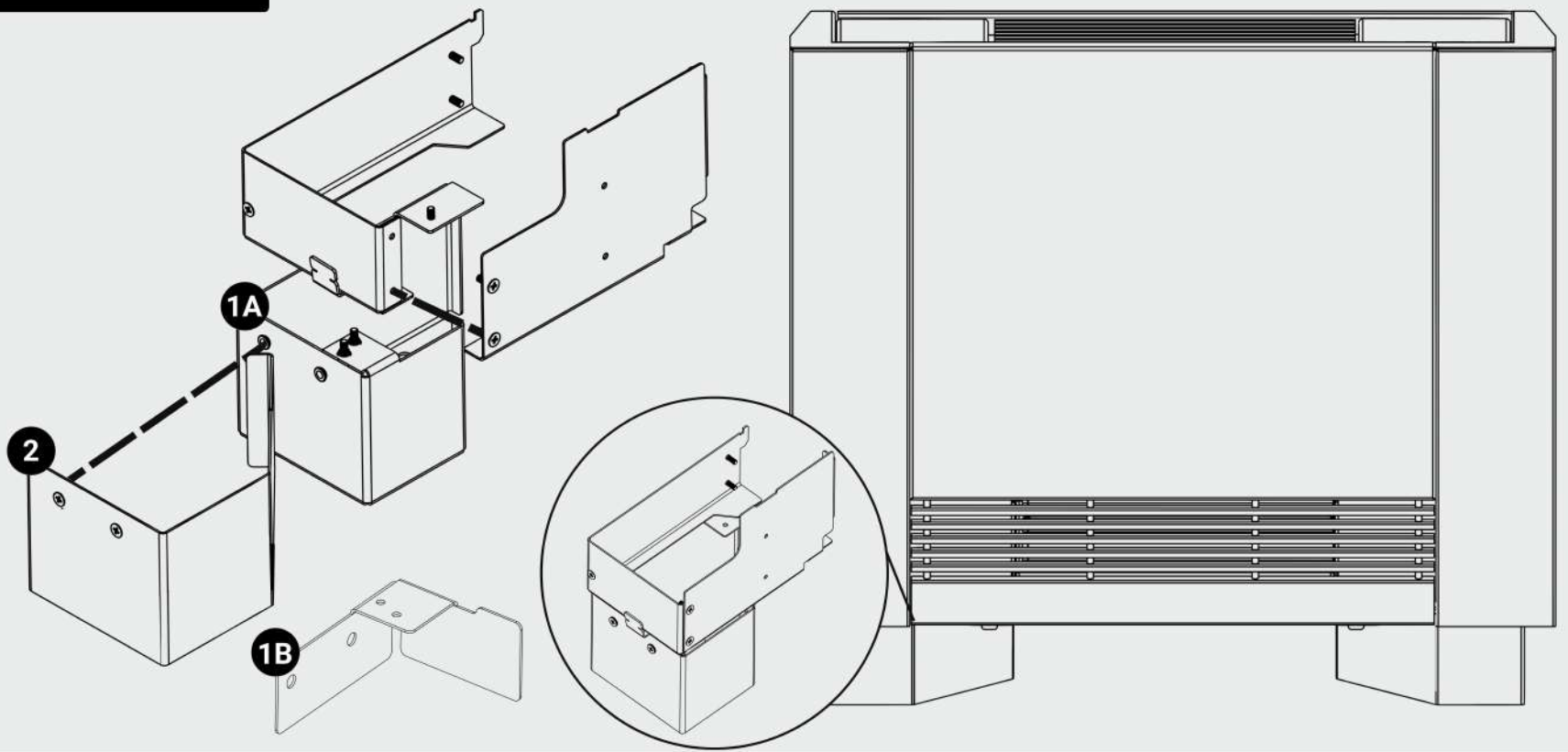
Unscrew the screw located under the upper panel and pull the side panel up.



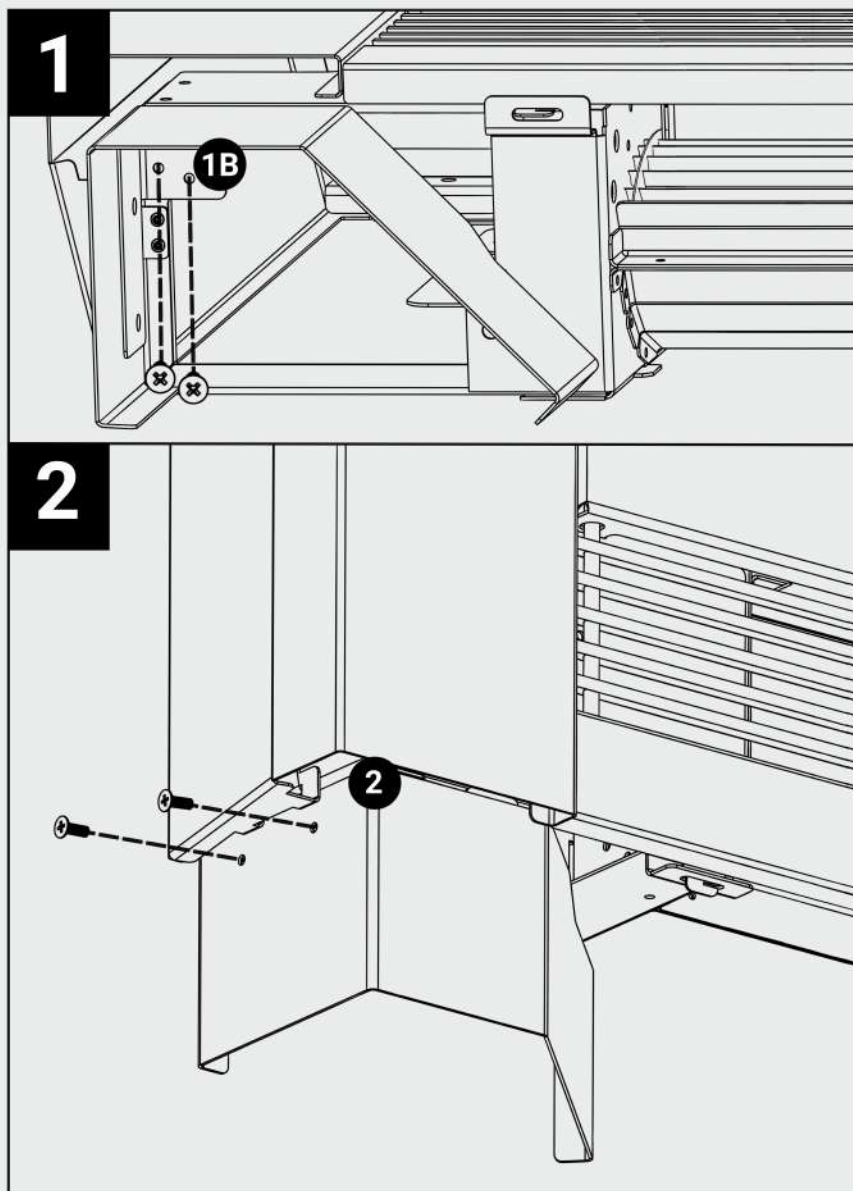
Place the convector on the wall by hanging it on the attached metal hangers

FEET MOUNTING (OPTION)

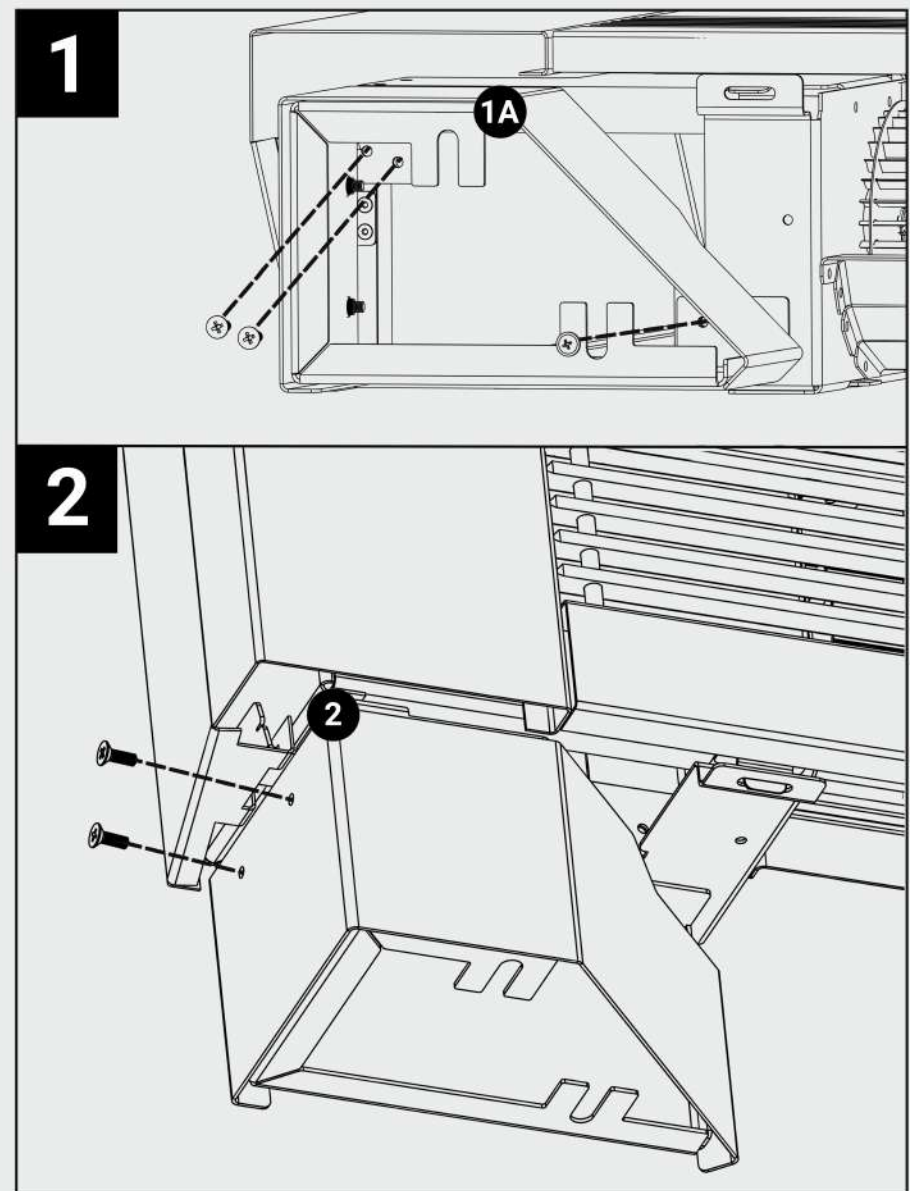
Side view



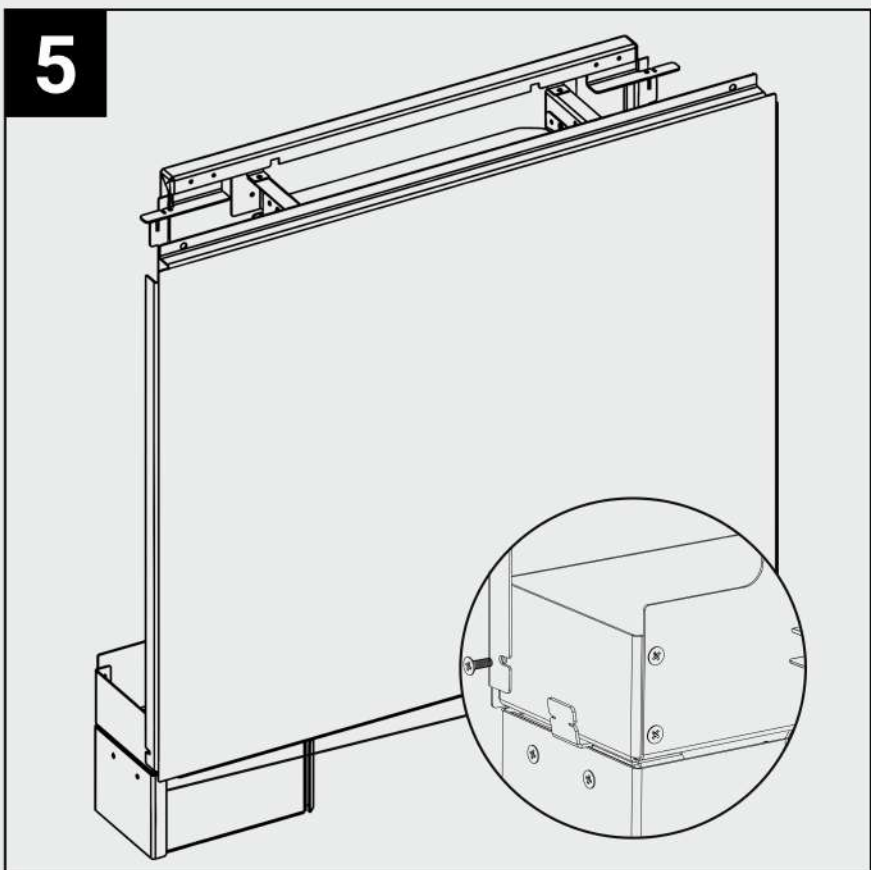
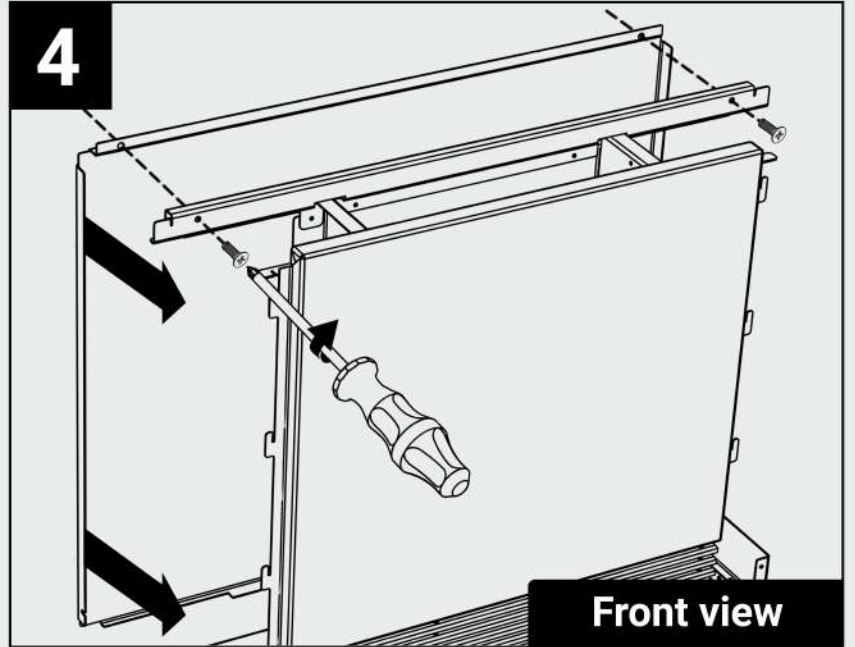
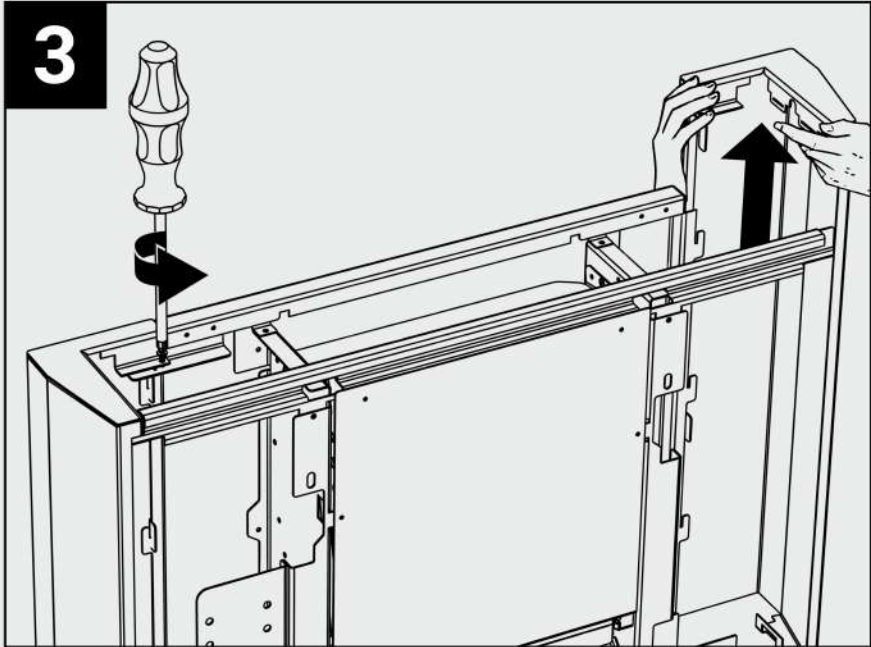
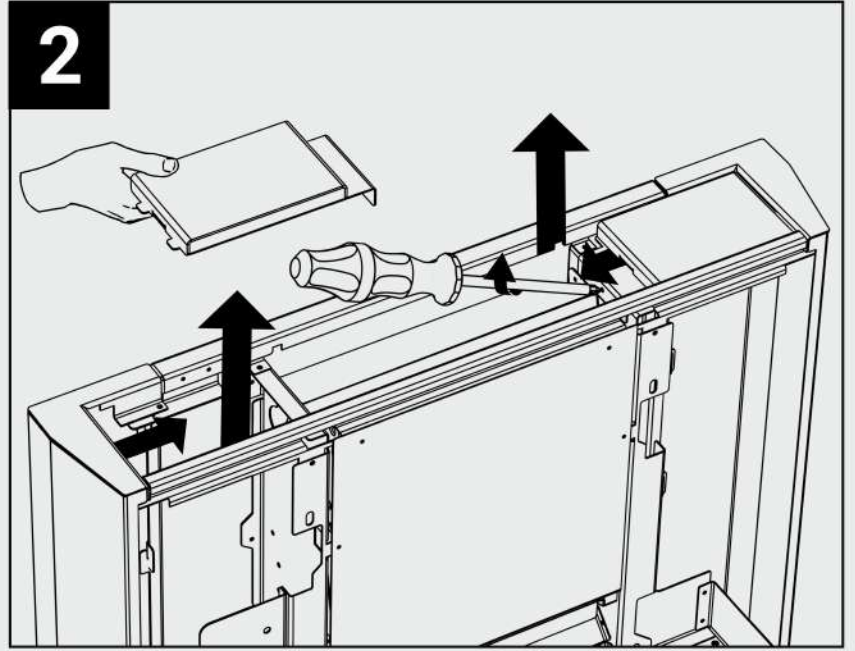
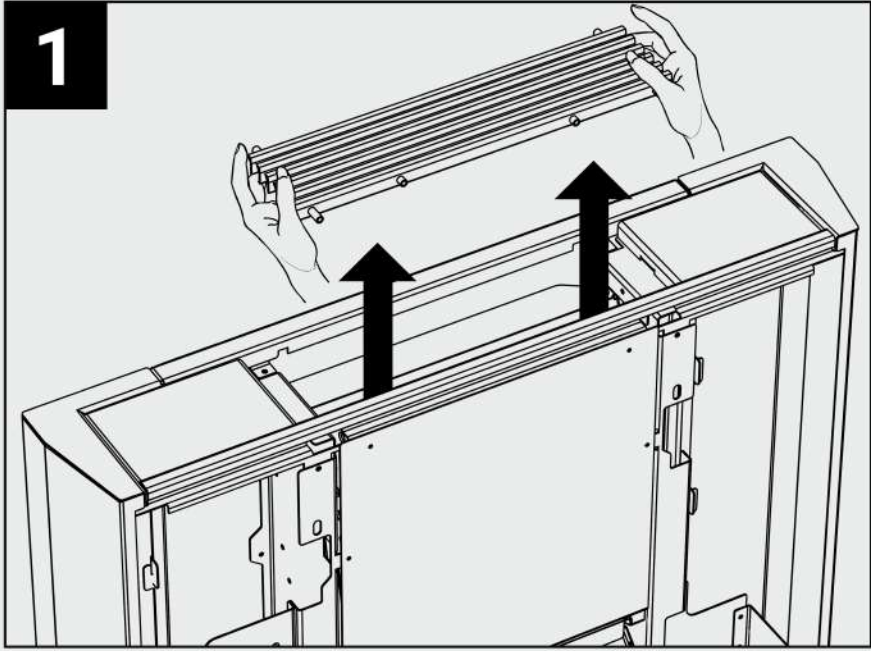
Decorative feet for hiding pipe connections



Stable feet for floor mounting



BACK PANEL MOUNTING (OPTION)

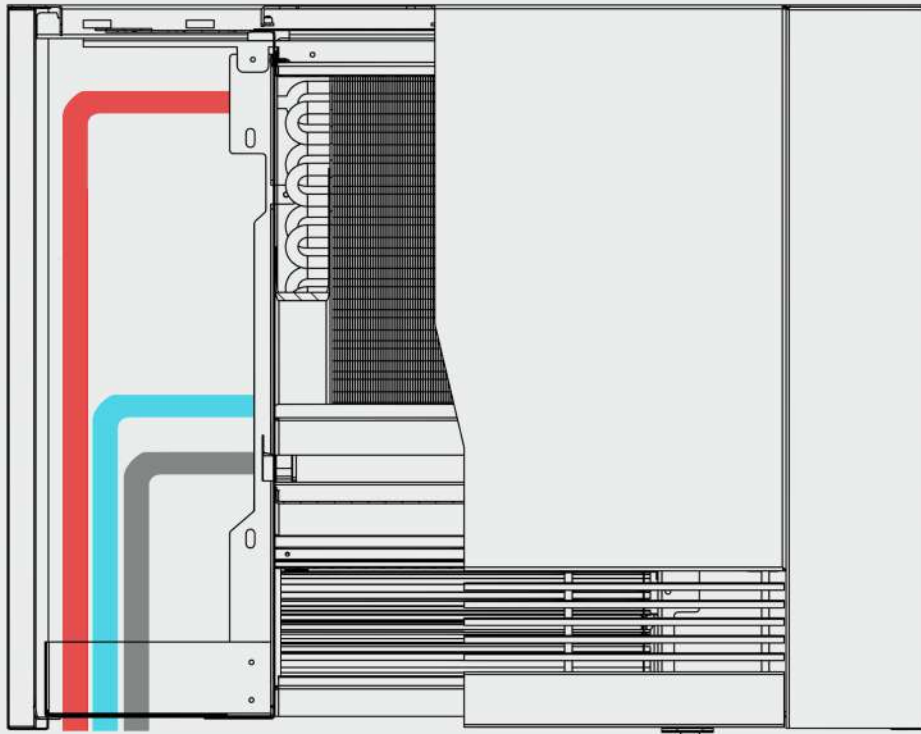


CONNECTING THE HEAT EXCHANGER TO THE HEATING SYSTEM



ATTENTION!

When tightening the fittings, always use an open-end wrench so as not to break the solder between the heat exchanger and its nozzle.



1. Connect the pipe connections as described below:

Distances from the floor:

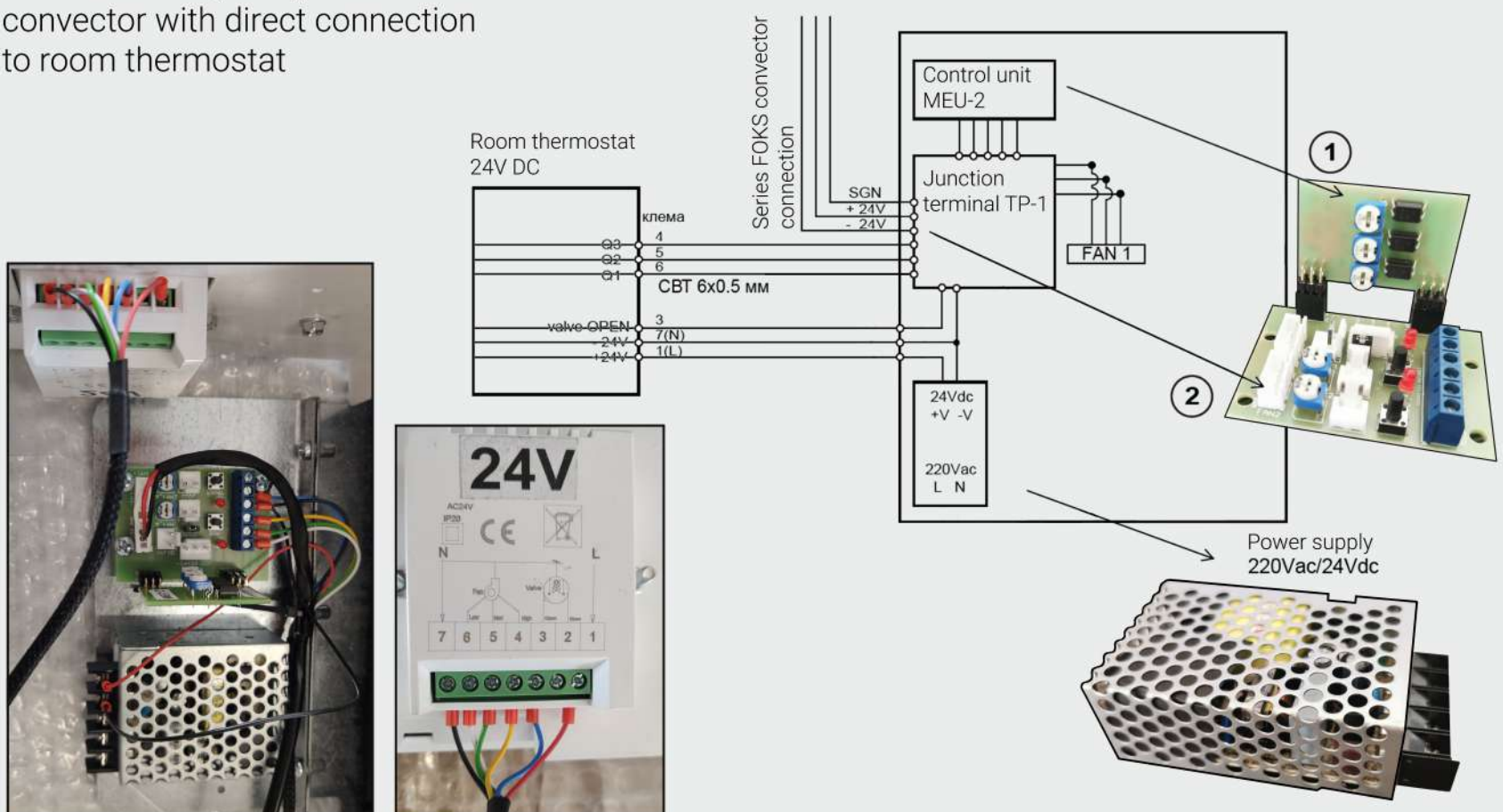
- Drain pipe: 29cm
- Outlet pipe (cold water): 31.5cm
- Inlet pipe (warm water):
H 58 -> 58.5cm
H 43 -> 43.7cm

2. Attach a hose to the $\Phi 20$ condensate drain pipe from the condensate basin

WIRING DIAGRAMS

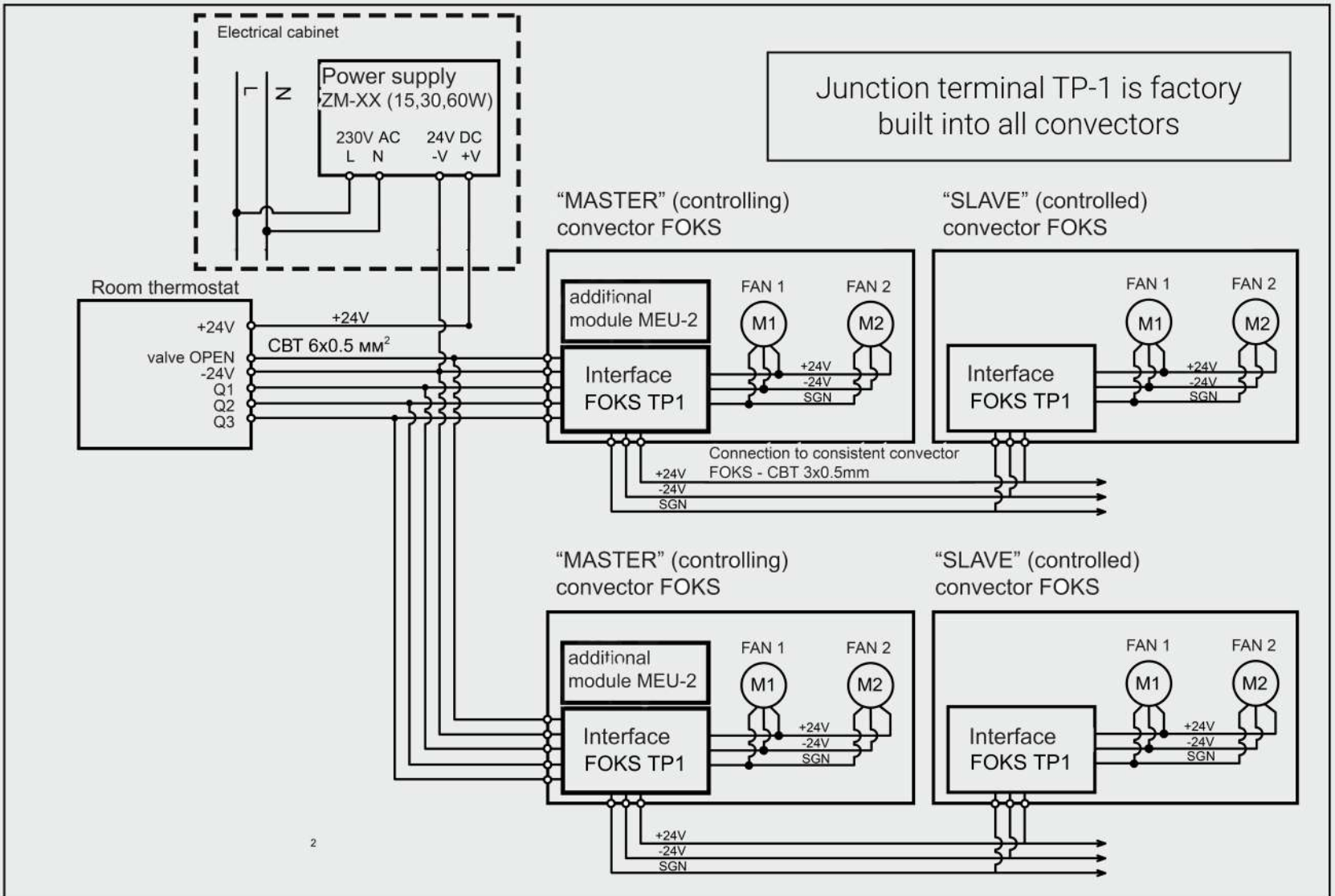
1. Built-in "ALL-IN1 EPIC" electronics set

Electronics fully integrated in the convector with direct connection to room thermostat

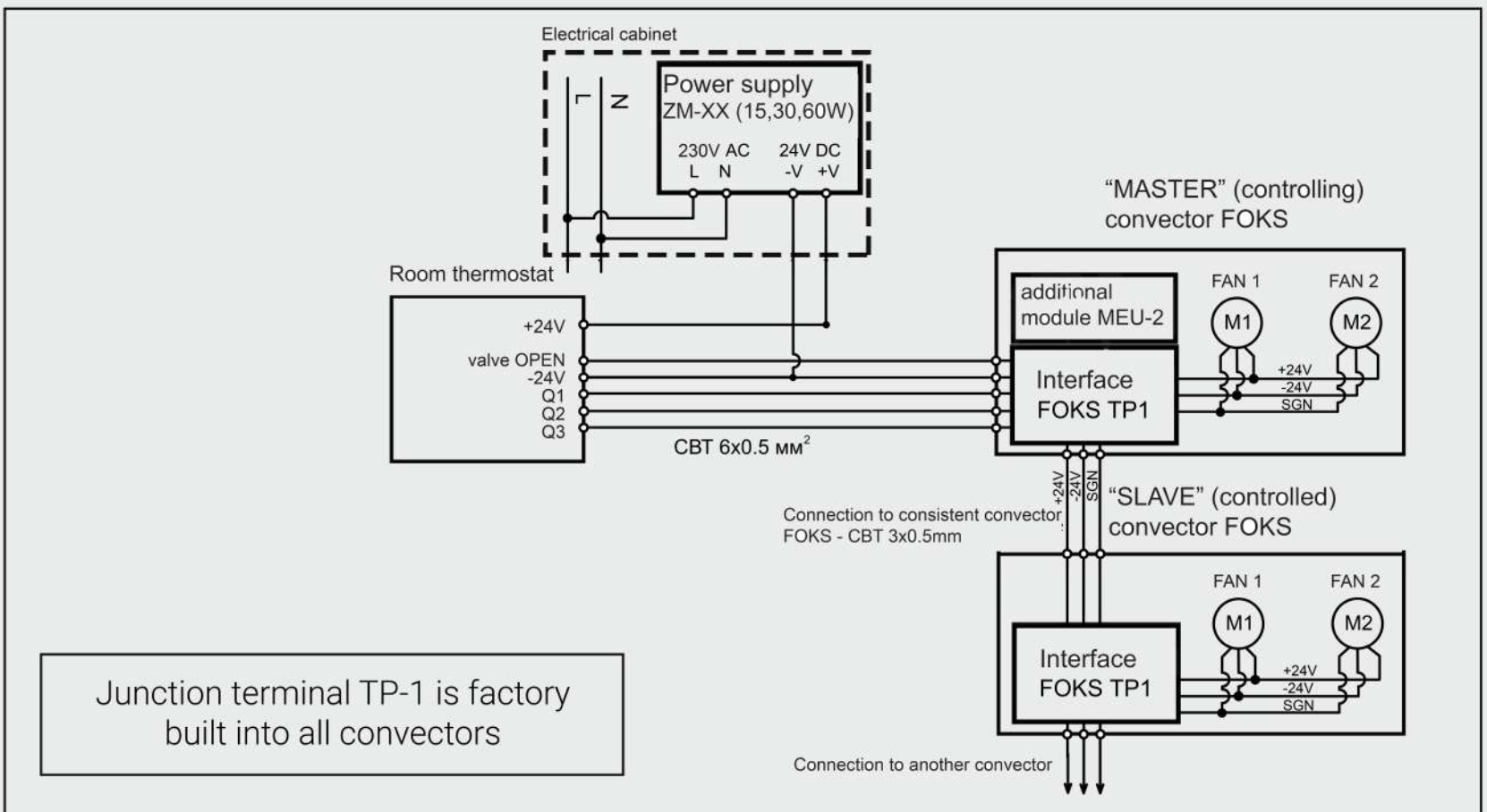


WIRING DIAGRAMS

2. System with 1 thermostat and 2 or more additional MEU-2 modules
 - chain of convectors controlled by 1 MEU-2



2. System with 1 thermostat and 1 additional module MEU-2



Fidoks Bulgaria Ltd. reserves the right to make changes to technical data or other information without prior warning.

Electrical installation can only be done by authorized for this kind of works person. Fidoks Bulgaria Ltd. doesn't take any responsibility for any damage caused by unauthorized or wrong installation!

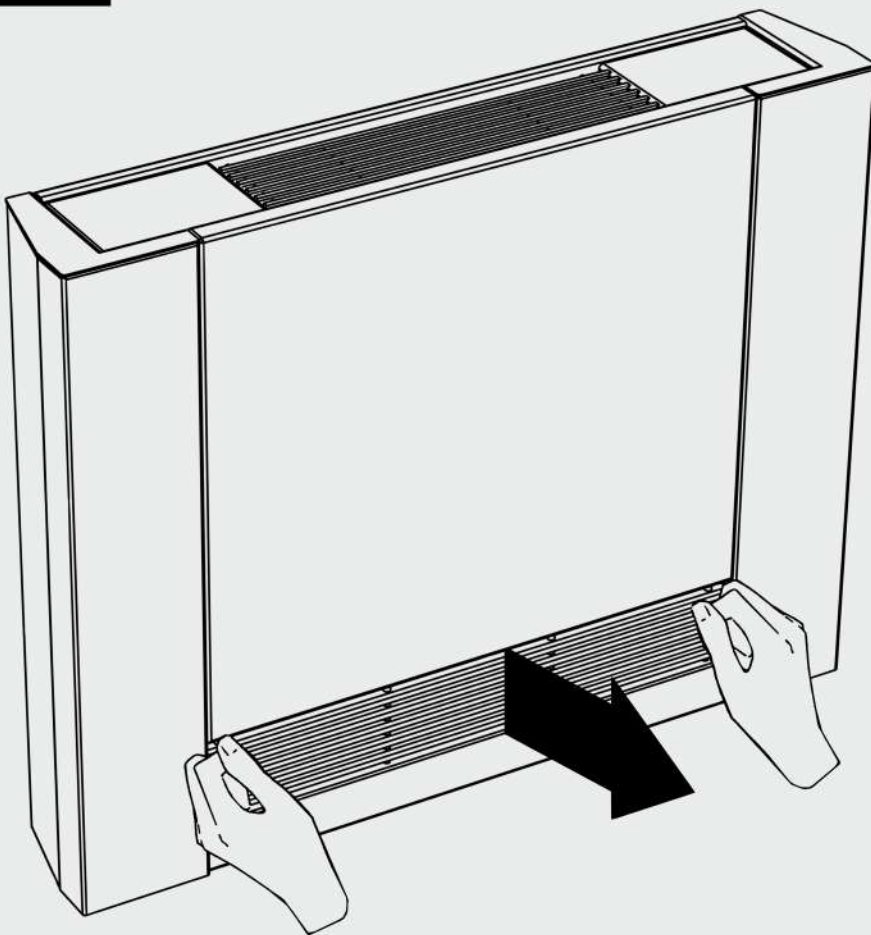
1. Cleaning of the convector



Before any cleaning, make sure that all electrical controls are switched off and that all parts have cooled down. For cleaning, do not use abrasive materials, abrasive cleaning agents or acetone in order not to damage the top powder-coated layer.

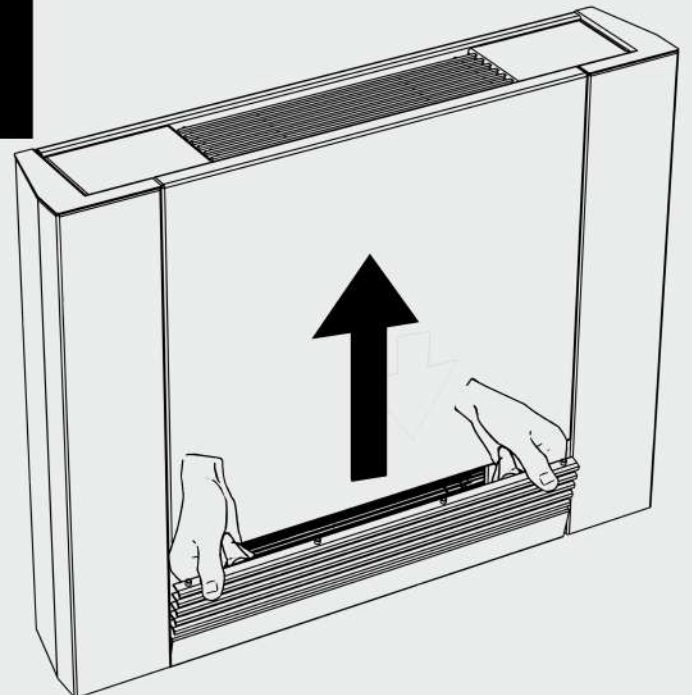
2. Fan air filter cleaning

1

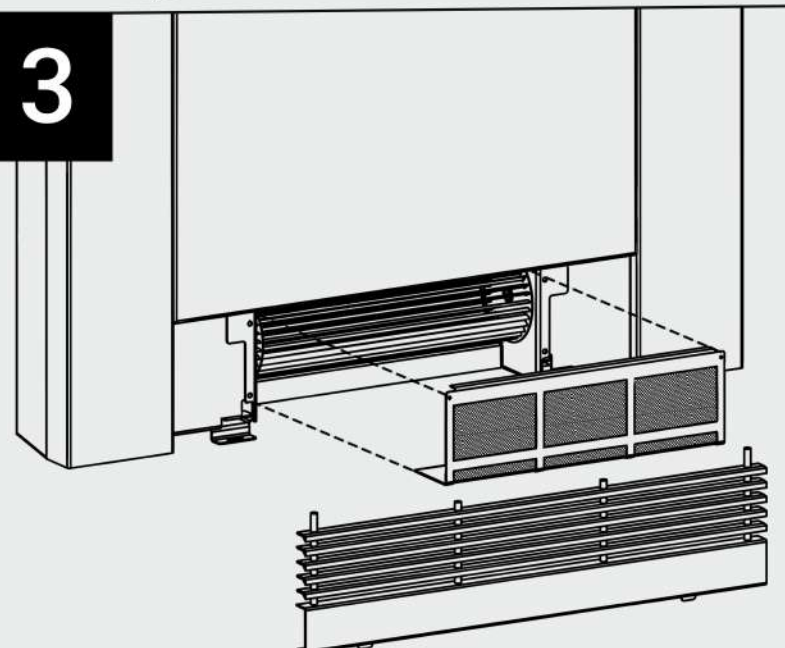


Remove the front grille by pulling it forward to release it from the clips and then pull it up to remove the tabs from the lower holes. Remove the filter by pulling it forward, clean it under running water and let it dry completely.

2



3



Warranty card

Manufacturer's recommendations:

1. The products should not be used in rooms with the release of aggressive substances (chlorine, caustic soda or other chemicals), nor should they be cleaned with them and their derivatives.
2. The products should not be placed in rooms with increased humidity (swimming pools, greenhouses, etc.), except in cases where the model is specially designed for such.
3. Convector must be cleaned regularly (especially before the heating season) to avoid mechanical damage or complete failure.

Warranty:

This product has a 12 month warranty period from the date of purchase.

The guarantee is not recognized in the following cases:

1. Failure to comply with the instructions for operation, storage and transport specified in the accompanying documentation;
2. Damages that occurred during transportation or mechanical damage to the housing.
3. Attempt to remove the defect by unauthorized persons;
4. Attempt to forge the warranty card, factory number or present an incomplete warranty card;
5. Damages caused by natural disasters (thunderstorms, floods, earthquakes, fires, etc.), electric shocks, liquids and insects falling into the product, etc.;
6. Using the devices in conjunction with other defective or incompatible modules and devices;
7. In the mentioned cases, the defects are removed at the customer's expense or returned to him in the same form.

The guarantee is recognized in the following cases:

1. There was no unauthorized intervention by third parties;
2. The damage is not caused by improper use (not intended);
3. The instructions for use have been followed.

Warranty claims are accepted at the authorized representative offices, upon presentation of the present warranty card, filled out clearly and legibly with the model of the product, the warranty period, the seller's signature and the store's stamp.

Product type/model:

Merchant: Date:

(signature and stamp)